

CABIN



*Esari Oy - 20 years of experience and
over 2500 shelters delivered.
Esari Cabin - A new shelter solution for your
telecommunications and electrical equipment.*

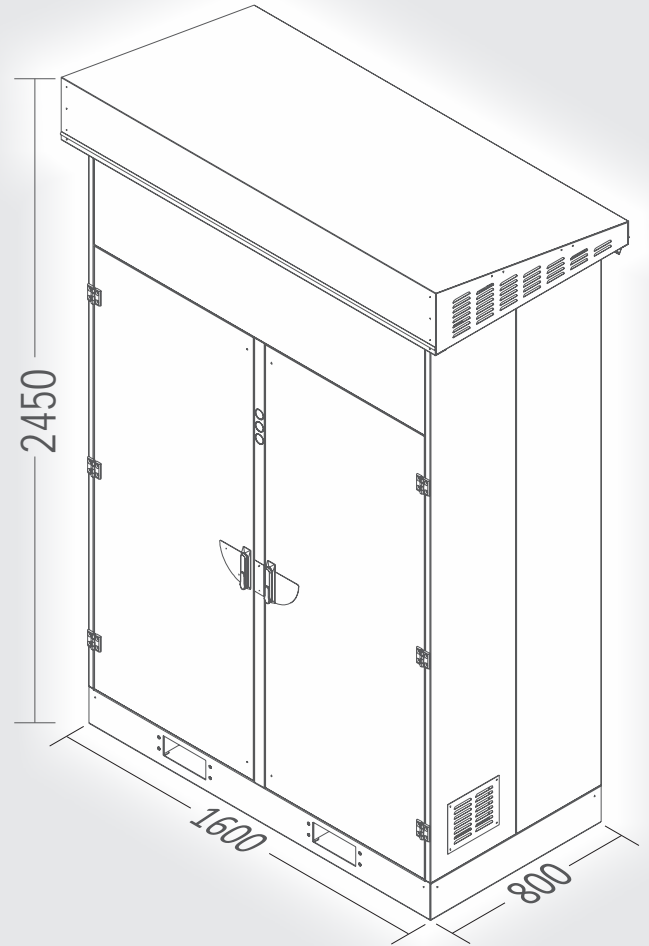
ESARI CABIN

Standard features:

- Built-in measuring centre 3x25A
- Overvoltage protection and surge arrester OBO V50-B+B/3+FS
- Overvoltage and undervoltage relay HRN
- Backup power socket 32A and backup power switch
2 maintenance sockets
- 800W thermo-controlled fan heater
- 3 230V thermo-controlled AC cooling fans
- 2 modular 19" racks, 4 installation rails
- 3 cable holes (2 of which are situated on the floor)

Custom features:

- Standard Esari conducting wire, external installation with Phoenix Contact overvoltage protection and surge arrester.
- Additional space for equipment in the rack (60 cm)
- Fans 48V DC
- Additional heater 800W
- Battery shelf for up to 4 batteries
- Additional installation rails
- ETSI standardized rails
- Door switch



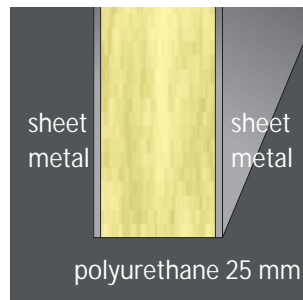
Stainless steel hinges



Abloy disc tumbler lock



Dead lock



Cavity walls filled with polyurethane

